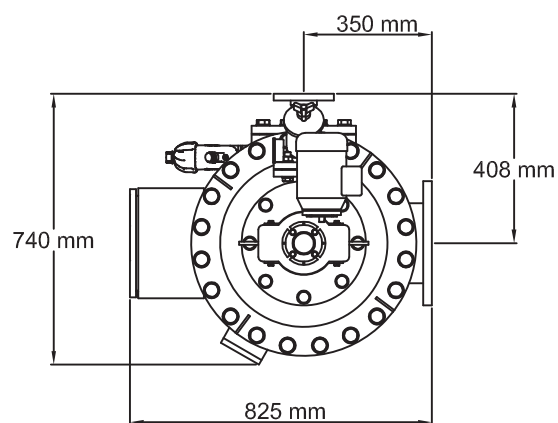


- (A) Colector drenaje 2"  
**2" Drainage manifold**
- (B) Colector entrada 8"  
**8" Inlet manifold**
- (C) Colector salida 8"  
**8" Outlet manifold**



### AZUD LUXON LDB 7400/8

|                           |                                 |                       |             |
|---------------------------|---------------------------------|-----------------------|-------------|
| SCALE<br>S/E<br>A4 FORMAT | MATERIAL:                       | RESPONS.: M. Martínez | <b>AZUD</b> |
|                           | UNITS: mm.                      | REVISION: 00          |             |
|                           | FILE: Azud_luxon_LDB_7400-8.dwg | 04/05/2012            |             |